



PERFORMANCE DATA SHEET

Meets or exceeds MEPS, as described by the US DOE in docket 10CFR431 and NRCAN's Amendment 14

Catalogue #: **MQS-6324NVB14**

| HP | kW | Voltage | S.F. @ 60Hz | EFF. | P.F. | Frame | Design | L.R. Amps |
|------|------|-----------|-------------|-------|-------|-------|--------|-----------|
| 0,25 | 0,19 | 230 / 460 | 1,15 | 75,0% | 0,590 | 63 | B | 6 |

| 60 Hz | | | | | | | | Code | F.L. RPM |
|-------|------|-----|------|-----|-----|-----|--|------|----------|
| FLA | | | | | | | | | |
| 208 | 230 | 416 | 460 | 480 | 575 | 600 | | K | 1735 |
| / | 1,06 | / | 0,53 | / | / | / | | | |

| 50 Hz | | | | | | | | | |
|-------|------|-----|-------------|------------|--------------|------|----------|--|--|
| FLA | | | S.F. @ 50Hz | Efficiency | Power Factor | Code | F.L. RPM | | |
| 190 | 380 | 415 | | | | | | | |
| 1,3 | 0,63 | / | 1,00 | 74,0% | 0,61 | K | 1440 | | |

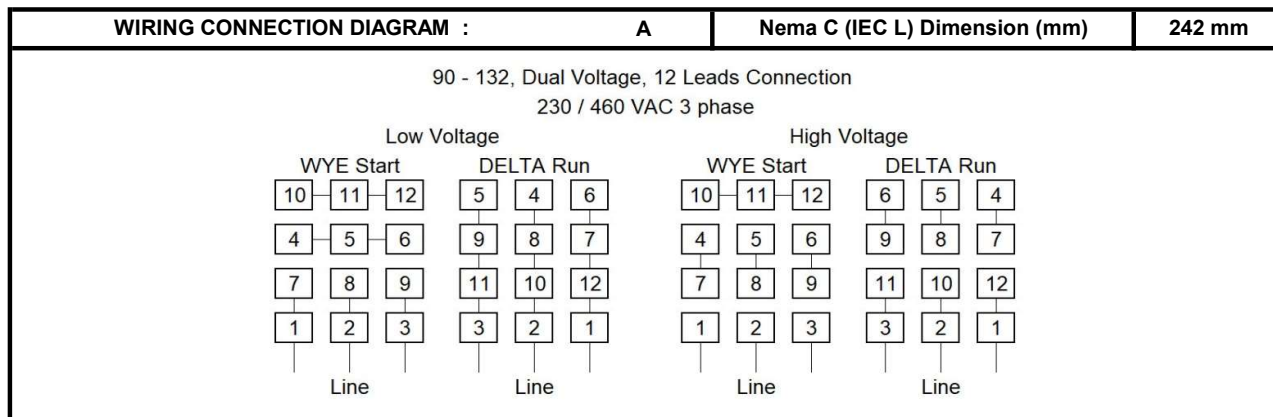
| Wgt. Lbs | PH | Duty | Insul. Class | Amb. | Elevation | Temp. Rise° C |
|----------|----|-------|--------------|------|-----------------|---------------|
| 17,6 | 3 | Cont. | F | 40°C | 1000M (3300 Ft) | 40 |

| % Efficiency | | % Power Factor | | Torque | | Winding Resist. Ω | Safe Cold Start (Secs) |
|--------------|-------|----------------|------|------------------|-----|-------------------|------------------------|
| Full Load: | 75,0% | Full Load: | 0,59 | Full Load Ft/Lbs | 0,8 | | |
| 3/4 Load: | 72,0% | 3/4 Load: | 0,50 | Locked Rotor % | 210 | | |
| 1/2 Load: | 67,5% | 1/2 Load: | 0,39 | Break Down % | 320 | / | 12 |

| Rotor Inertia Wk2 Lb-Ft2 | Max Load Inertia Wk2 Lb-Ft2 | Shaft Material | Frame Material | DE Bracket Type | ODE Bracket Type | Enclosure | NEMA Rating | Lead Wire Size |
|--------------------------|-----------------------------|---------------------|----------------|-----------------|------------------|-----------|-------------|----------------|
| / | / | Stainless Steel 304 | | | | TENV | IP66 | / |

| Ball Bearings | | Grease | Mount Type | Orientation | Paint | Sound Pressure @ 3FT | Sound Power |
|---------------|------|-----------------|------------|-------------|-------|----------------------|-------------|
| DE | ODE | | | | | | |
| 6202 | 6202 | Sealed Bearings | Rigid | Horizontal | - | / | / |

| Inverter Duty. Motor meets MG1 parts 31.4.4.2 | Constant Torque Range | Variable Torque Range | Constant HP RPM |
|--|-----------------------|-----------------------|-----------------|
| | 10:1 | 20:1 | 0,25 |



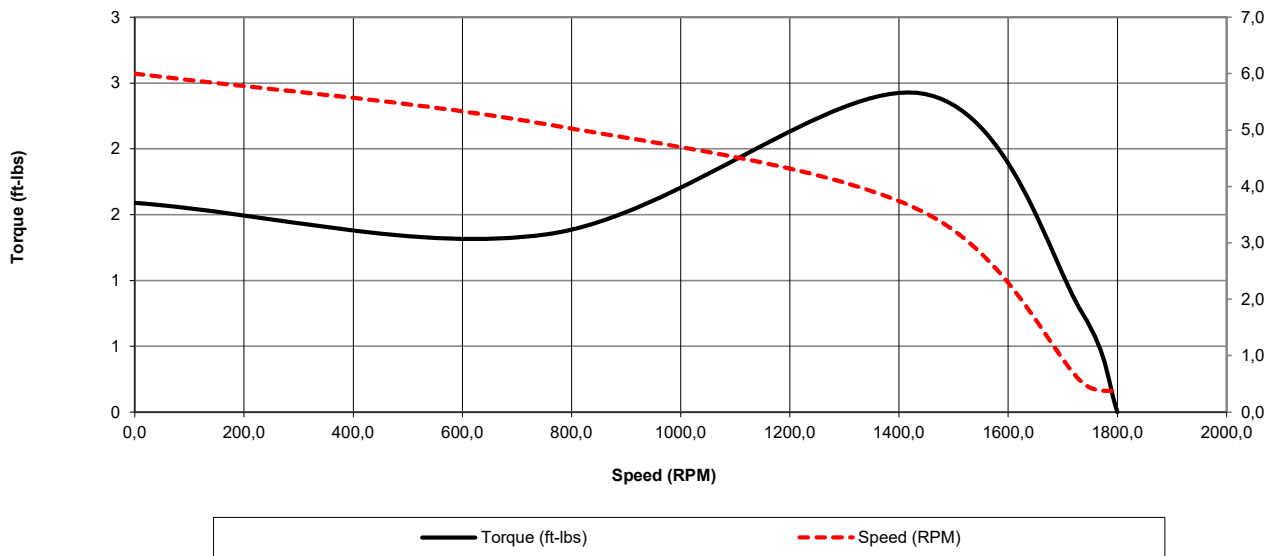
Date: 2023-12-21
 Customer: _____
 Contact: _____
 Submittee: J.C. Lavallée

Catalogue #: **MQS-6324NVB14**

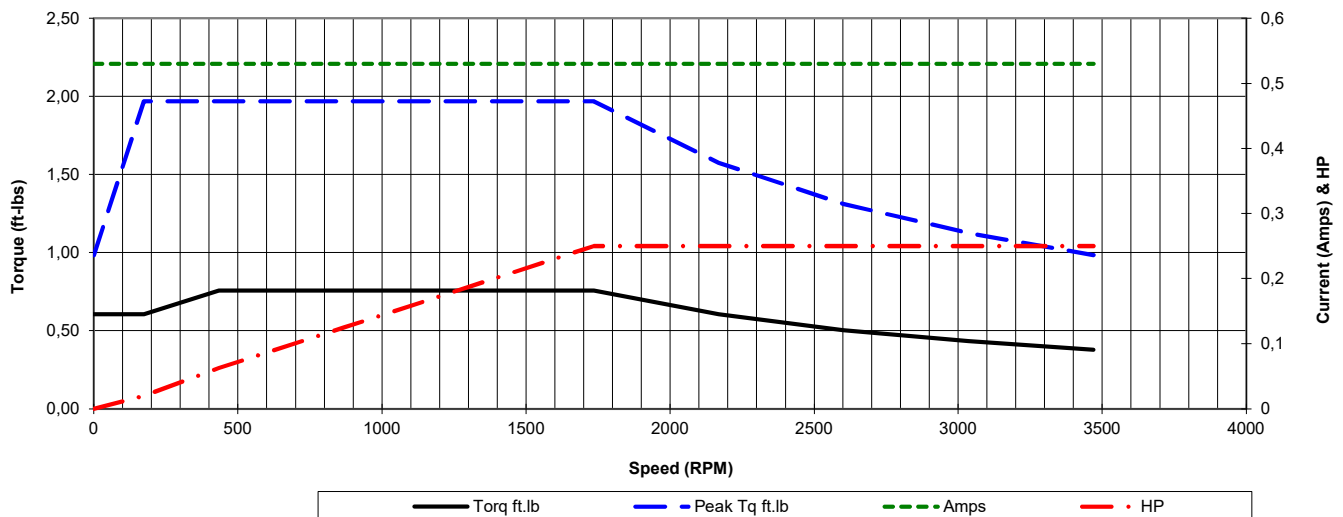
Meets or exceeds MEPS, as described by the US DOE in docket 10CFR431 and NRCan's Amendment 14

| HP | VAC | RPM | Enclosure | Frame | Frequency | Design | Poles | LR Code Letter | Insulation Class | Temp. Rise °C |
|-----------------|--------------|---------|-----------|------------|-----------|--------------------------------------|---------|----------------|------------------|---------------|
| 0,25 | 460 | 1735 | TENV | 63 | 60 | B | 4 | K | F | 40 |
| | 0Hz | 6Hz | 15Hz | 30Hz | 45Hz | 60Hz | 75Hz | 90Hz | 105Hz | 120Hz |
| Amps | 0,53 | 0,53 | 0,53 | 0,53 | 0,53 | 0,53 | 0,53 | 0,53 | 0,53 | 0,53 |
| RPM | 0 | 173,5 | 433,75 | 867,5 | 1301,25 | 1735 | 2168,75 | 2602,5 | 3036,25 | 3470 |
| Torq ft.lb | 0,61 | 0,61 | 0,76 | 0,76 | 0,76 | 0,76 | 0,61 | 0,50 | 0,43 | 0,38 |
| Peak Tq ft.lb | 0,98 | 1,97 | 1,97 | 1,97 | 1,97 | 1,97 | 1,57 | 1,31 | 1,12 | 0,98 |
| HP | 0 | 0,0 | 0,1 | 0,1 | 0,2 | 0,3 | 0,3 | 0,3 | 0,3 | 0,3 |
| | Locked Rotor | Pull-Up | Breakdown | Rated Load | Idle | Duty | S. F. | Ambient | Elevation | dBa @ 1M |
| Speed (RPM) | 0,0 | 756 | 1440 | 1735 | 1800 | Cont. | 1,15 | 40°C | 3,300 ft | / |
| Current (Amps) | 6,0 | 5,1 | 3,6 | 0,5 | 0,4 | VFD Rating: Meets MG1 parts 31.4.4.2 | | | | |
| Torque (ft-lbs) | 1,6 | 1,4 | 2,4 | 0,8 | 0,0 | C.T. | 10:1 | V.T. | 20:1 | |

Motor Speed Data



Motor Torque Capability vs RPM



MaxMotion

Date: 2023-12-21
 Customer: _____
 Contact: _____
 Submittee: J.C. Lavallée

Catalogue #: **MQS-6324NVB14**

Meets or exceeds MEPS, as described by the US DOE in docket 10CFR431 and NRCAN's Amendment 14

| HP | VAC | RPM | Enclosure | Frame | Frequency | Design | Poles | LR Code Letter | Insulation Class | Temp. Rise °C |
|------|-----|------|-----------|-------|-----------|--------|-------|----------------|------------------|---------------|
| 0,25 | 460 | 1735 | TENV | 63 | 60 | B | 4 | K | F | 40 |

| Load % | 0% | 25% | 50% | 75% | 100% | 125% | 150% |
|-------------|------|---------|--------|---------|-------|---------|--------|
| Amps | 0,38 | 0,40 | 0,43 | 0,47 | 0,53 | 0,66 | 0,80 |
| Torq ft/lbs | 0 | 0,18 | 0,37 | 0,56 | 0,76 | 0,95 | 1,16 |
| RPM | 0 | 1783,75 | 1767,5 | 1751,25 | 1735 | 1718,75 | 1702,5 |
| Eff | 0 | 59,20 | 67,50 | 71,98 | 75,00 | 73,39 | 71,29 |
| PF | 0 | 25,4 | 38,586 | 49,855 | 59,0 | 60,2 | 62,0 |

| | Locked Rotor | Pull-Up | Breakdown | Rated Load | Idle | Duty | S. F. | Ambient | Elevation | dBA @ 1M |
|-----------------|--------------|---------|-----------|------------|--------|--------------------------------------|-------|---------|-----------|----------|
| Speed (RPM) | 0 | 756 | 1440 | 1735 | 1800 | Cont. | 1,15 | 40°C | 3,300 ft | / |
| Current (Amps) | 6 | 5,1 | 3,6 | 0,53 | 0,3763 | VFD Rating: Meets MG1 parts 31.4.4.2 | | | | |
| Torque (ft-lbs) | 1,59 | 1,35 | 2,42 | 0,76 | 0,0 | C.T. | 10:1 | V.T. | 20:1 | |

